

Version	2.0	Date	5/19/2021
Prepared By	JC		

PRODUCT SPECIFICATION

Category	Wall Pack
Item Number	9447
Stock Code	FXTWP38/40K/BZ-PHO
Mounting	Wall Mount
Housing Color	Bronze



ELECTRICAL CHARACTERISTICS			
Rated Wattage (W)	38	Replacement Wattage (W)	175-250
Tested Wattage (W)	38		
Input Voltage (V)	120-277V	Surge Protect Level	4KV
Voltage Frequency (Hz)	50/60	Dimmable	0-10V
Input Current (A)	0.32 (@120V)	AUX (12V) Line	-
Power Factor	>0.9	Photocell	Included

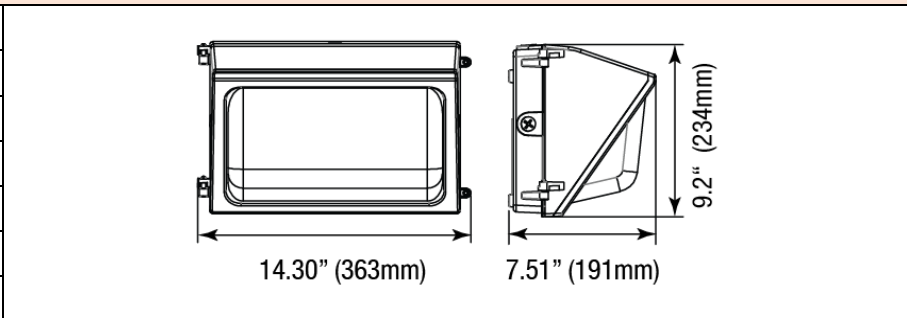
PHOTOMETRIC CHARACTERISTICS			
Lumen (lm)	5,700	CCT (K)	4000K
Efficacy (lm/w)	150	Beam Angle (°)	Forward Throw
CRI	>80		

GENERAL CHARACTERISTICS	
Operating Temperature (°F)	- 40°F ~ 122°F
Storage Temperature (°F)	- 40°F ~ 140°F
IP Rating	IP65
Rated Life (Hrs)	50,000
Warranty (Yrs)	5

ACCESSORIES		
Item #	Stock Code	Description
7336	BAEM4-60BC/MV-A	4W LED Emergency Driver
P10234	SEN-MC605V-D	Microwave Motion Photocell Sensor

PRODUCT DIMENSIONS

Width- in / (mm)	14.30"	363
Height- in / (mm)	9.20"	234
Depth- in / (mm)	7.51"	191
EPA (ft²)	-	-
Weight (lbs)	6.79	-
Mounting Height (ft)	-	-
Cable Length (ft)	-	-



CERTIFICATIONS			
UL/ETL	ETL/cETL	CEC	
NSF/ETL Sanitation		JA8	
Energy Star		FCC	✓
DLC	5.1 Premium	RoHs	✓

DOCUMENTS			
LM79	✓	IES File	✓
LM80	✓	Dimmer List	

COMMENTS

--